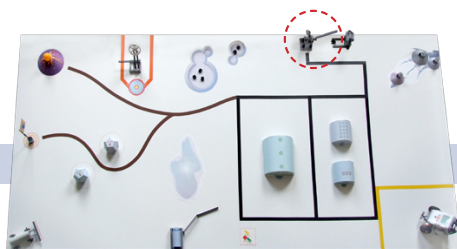
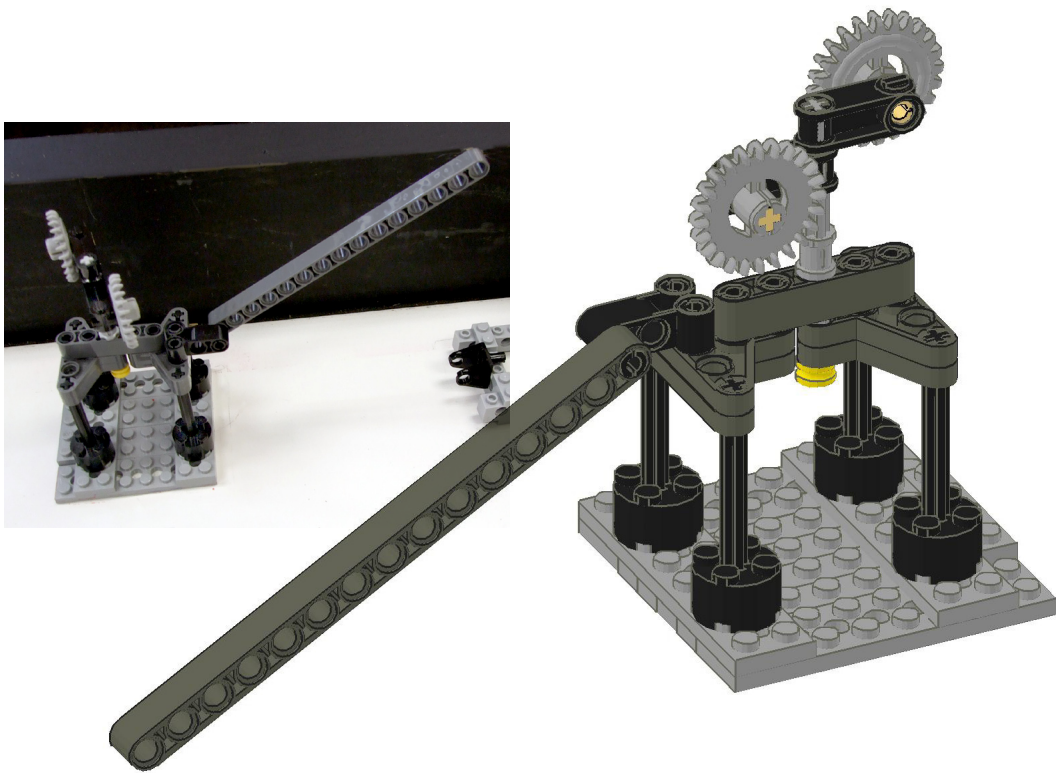


D E E P  S P A C E

# TERRAFORMERS

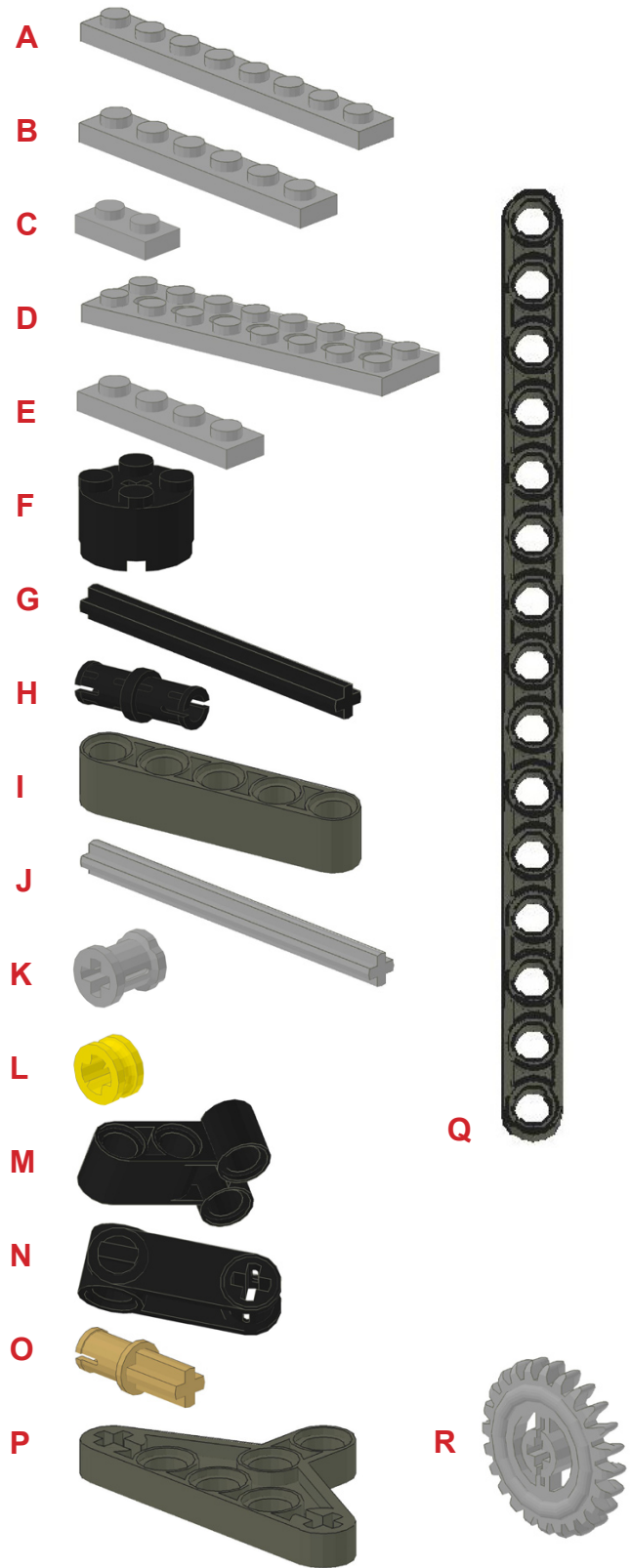
## Satellite Station

Building Instructions

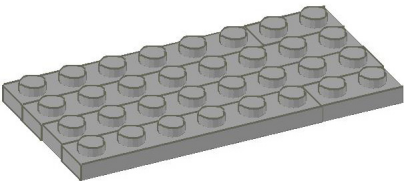
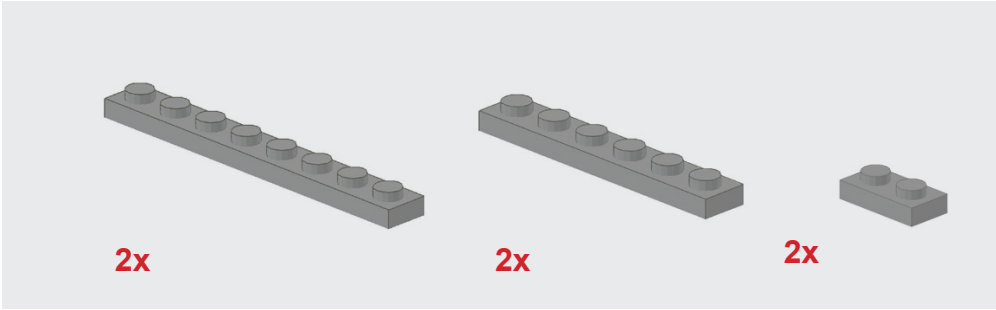


## Satellite Station Materials

- 4X Plate 1 by 8 A
- 4X Plate 1 by 6 B
- 2X Plate 1 by 2 C
- 4X TECHNIC Plate 2 by 8 with Holes D
- 1X Plate 1 by 4 E
- 4X Brick 2 by 2 Round F
- 4X TECHNIC Axle 6 G
- 7X TECHNIC Pin with Friction H
- 1X TECHNIC Beam 5 I
- 1X TECHNIC Axle 7 J
- 1X TECHNIC Bush K
- 1X TECHNIC Bush 1 Half L
- 1X TECHNIC Pin Joiner Dual Perpendicular M
- 2X TECHNIC Axle Joiner Perpendicular 3 Long N
- 2X TECHNIC Axle Pin O
- 4X TECHNIC Liftarm Triangle 5 x 3 x 0.5 P
- 2X TECHNIC Beam 15 Q
- 1X TECHNIC Gear 24 Tooth Crown R

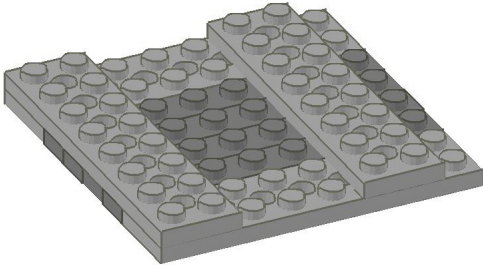
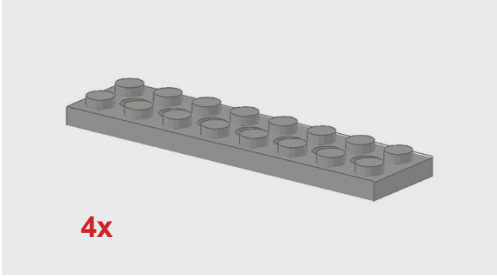


# One

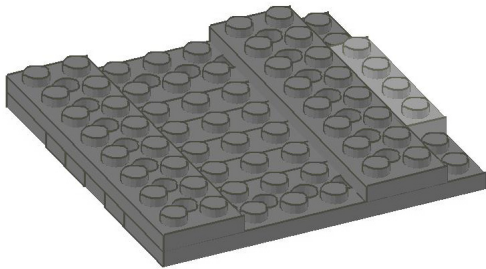
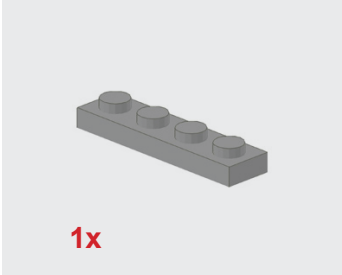


---

# Two

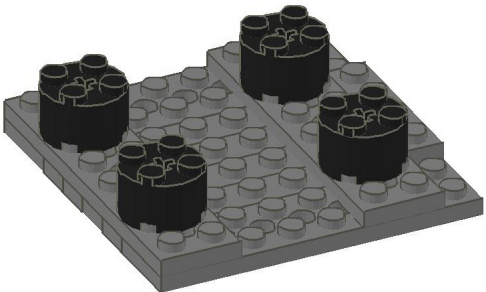
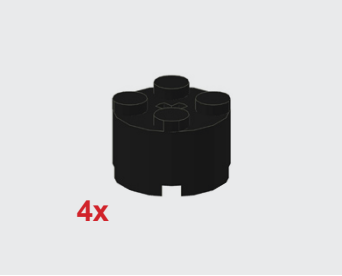


# Three

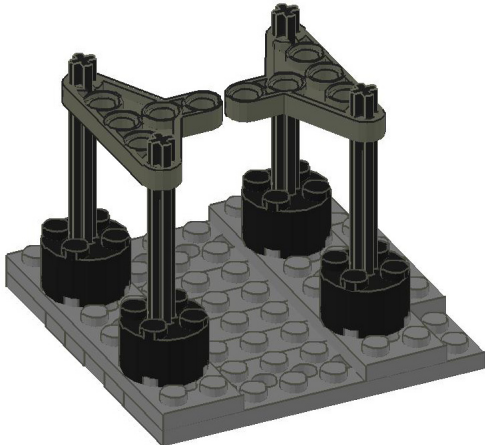
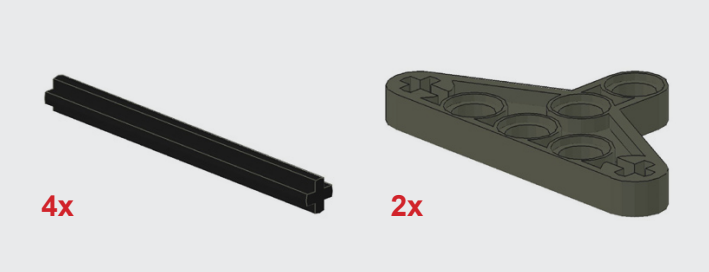


---

# Four

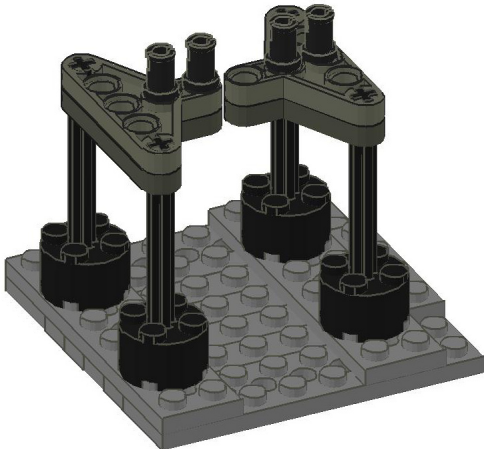
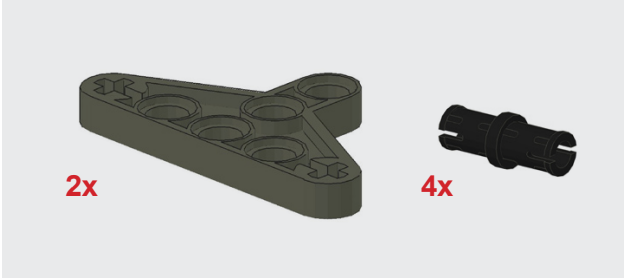


# Five

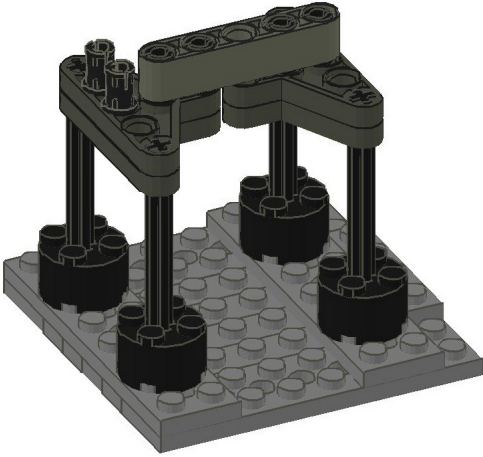
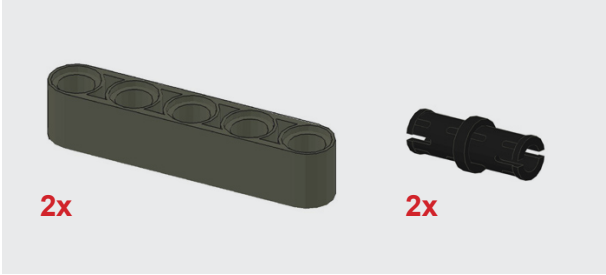


---

# Six

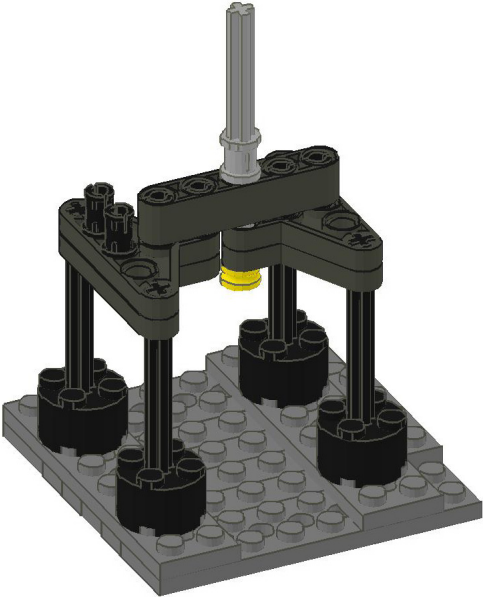
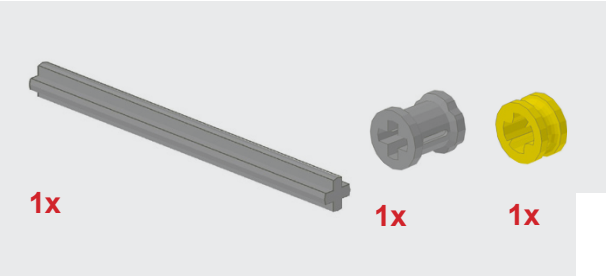


# Seven

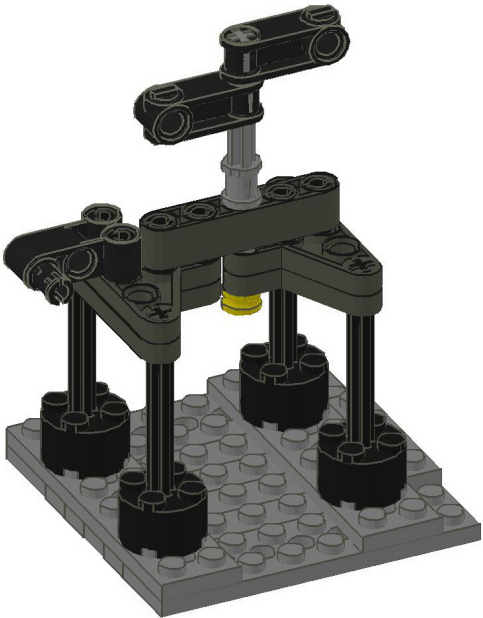


---

# Eight



# Nine



# Ten

